

WALL SCONCE

PILOT



DIMENSIONS:
PLT-0 : 13"H x 4"W x 4"E
PLT-1 : 24"H x 7"W x 4"E
PLT-2 : 17"H x 5.25"W x 4"E
PLT-3 : 48"H x 8"W x 4"E
 Custom Sizes Available

Project:	
Location(s):	
Type:	
Qty:	
Date:	

PRODUCT SPECIFICATIONS

Description:
 A Rectangular Prism with Single Bar Designs

Materials:
 20 Ga. G90 Galvanized Steel Pan

Finish:
 Powder Coated

Lens:
 White Acrylic

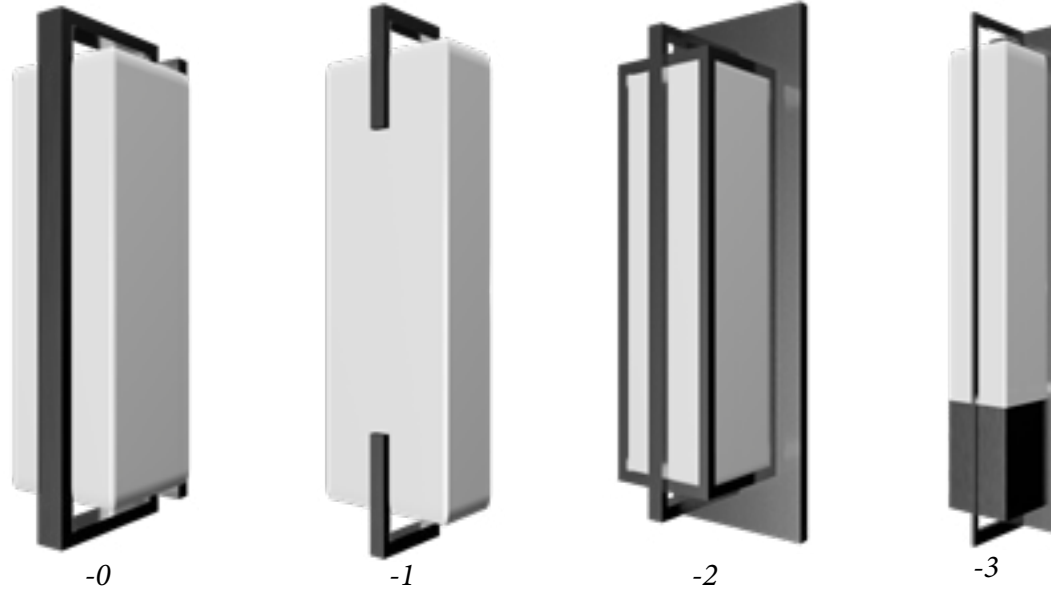
LED:
 Integrated LED Array

Listing:
 Wet List to Meet UL 1598 Standard

Driver Info:
 120V

Installation Information:
 Install by Qualified Electrician

Warranty:
 2 Years From Date of Shipment



ORDER INFORMATION
 Call Factory For Fluorescent Options

MODEL	PATTERN	FINISH	WATTAGE	KELVIN	LENS	OPTIONS
<u>Model</u> PLT PLTxxX (Height x Width)	<u>Pattern</u> # - Pattern #	<u>Finish</u> DB - Dark Bronze BL - Black WH - White CC - Custom Color	<u>Wattage (Patt0)</u> LED10 - 10W LED 1000Lms <u>Wattage(Patt1)</u> LED23 - 23W LED 2300Lms <u>Wattage(Patt2)</u> LED12 - 12W LED 1200Lms <u>Wattage(Patt3)</u> LED36 - 36W LED 3600Lms	<u>Kelvin</u> 30 - 30K 35 - 35K 40 - 40K 50 - 50K	<u>Lens</u> WA - White Acrylic	<u>Options</u> DV - 120/277 Dual Volt DIM - 0-10V Dimmable EM5 - 500 Lms Emergency EM12 - 1200 Lms Emergency EM on Pattern 1 and 3 Only