

MODEL	FINISH	WATTAGE	KELVIN	OPTIONS
Model STPD	Finish BL - Black AS - Anodized Silver TG - Traffic Gray (RAL 7043) AG - Anthracite Gray (RAL 7016)	Wattage LED4 - 4W LED 400 Lms LED6 - 6W LED 600 Lms LED8 - 8W LED 800 Lms LED10 - 10W LED 1000 Lms LED12 - 12W LED 1200 Lms LED14 - 14W LED 1400 Lms	Kelvin 30 - 30K 40 - 40K 50 - 50K	Options DIM - 0-10V Dimmable

Standard Product Specifications

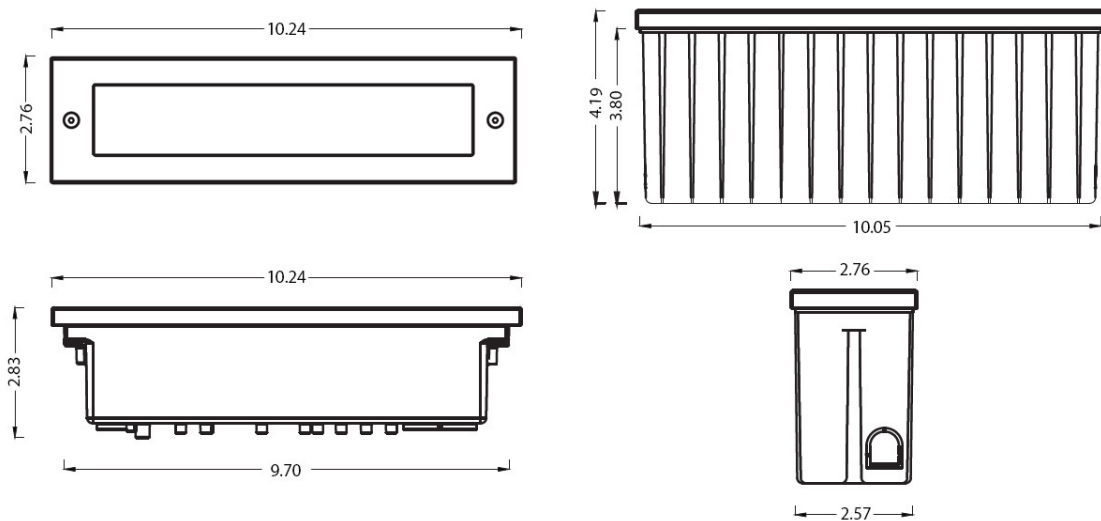
Materials:
Die-Cast Aluminum
Finish:
Powder Coated
Lens:
Clear Glass
LED:
Integrated LED Array

Listing:
Wet List to Meet UL 1598 Standard
Driver Info:
120/277V
Installation Information:
Install by Qualified Electrician
Warranty:
2 Years From Date of Shipment

DIMENSIONS:
10.24”L x 2.76”H



Dimensions:



Distribution:

